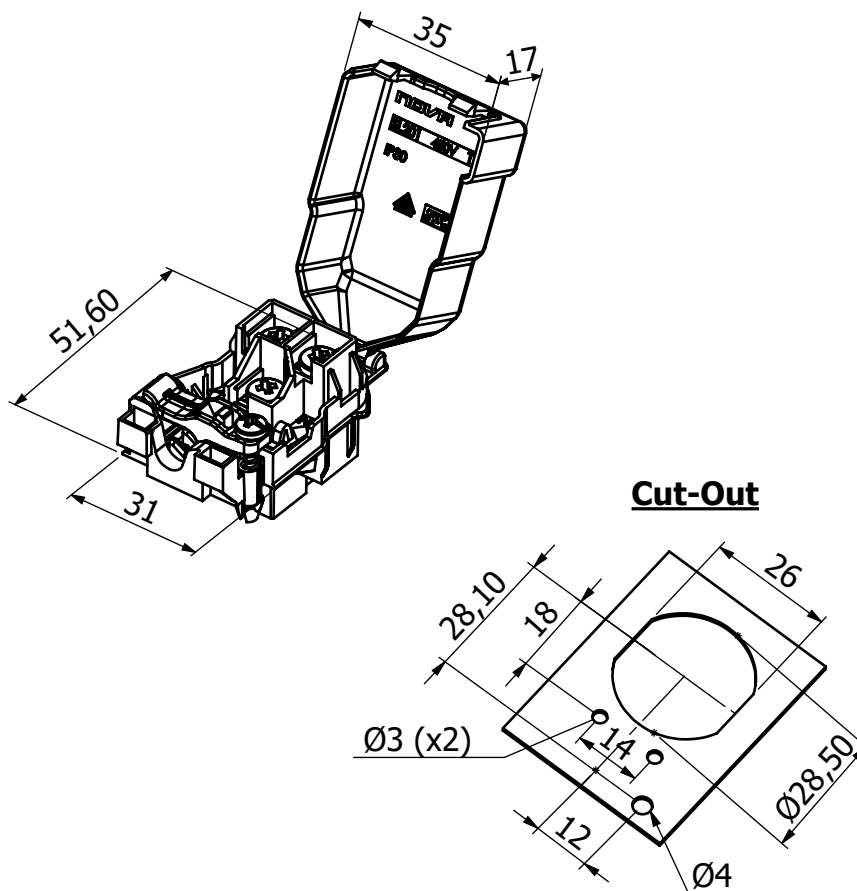


SL201E

Item Code: 07034703



All dimensions in "mm"

Specifications	EN Standards	UL/CSA Standards
Nominal Voltage	AC 450V	AC 300V
Nominal Current	17,5A	16A
Operating Temperature	T125	T130
Number of Poles	2P+PE	
Rated Connecting Capacity	0,75-1,50 mm ²	20-16 AWG Stranded
Degree of Protection	IP30	
Components	Material	
Body	PA6 V2-GWT 750°C, Black	
Terminals	6,3x0,8 mm male tabs acc. to EN 61210 Steel, Zinc Plated, Cr ³ passivated	
Screws	M4x8,5, Steel, Zinc Plated, Cr ³ passivated	
Remarks	Versions suitable for R5 available	
Approvals	Standards	
VDE	DIN EN 60998-1:2005-03; EN 60998-1:2004 DIN EN 60998-2-1:2005-03; EN 60998-2-1:2004 DIN EN 61210:2011-06; EN 61210:2010 DIN EN 60335-1:2020-08; EN 60335-1:2012+AC+A11+A13+A1+A2+A14:2019 EN 60335-1:2012/A15:2021 EN 60335-1:2012/A16:2023	
UL CSA	UL 1977 : STANDARD FOR COMPONENT CONNECTORS FOR USE IN DATA, SIGNAL, CONTROL AND POWER APPLICATIONS CAN/CSA C22.2 No. 182.3-16 : SPECIAL USE ATTACHMENT PLUGS, RECEPTACLES, AND CONNECTORS	